

# 0.15μm Synchronous Standard Performance Single Port Register File Compiler – FSB0G\_A\_SY

## Key Features

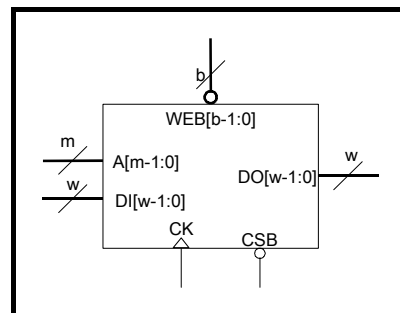
- Operating voltage range: 1.35V ~ 1.65V
- Operating junction temp. range: -40° C ~ 125° C
- Recommended operating ambient temp. range: 0° C ~ 85° C
- Minimum metal requirement: 5 metal layers
- Synchronous read and write operations
- Fully customized layout density
- Automatic power down to eliminate DC current
- Clocked address inputs and CSB to RAM at CK rising edge
- Clocked WEB input pin to RAM at CK rising edge
- Clocked DI input pins to RAM at CK rising edge
- Byte write or word write operations available
- Memory compiler preview UI (Memaker)
- BIST circuitry supported
- Column mux options for the best aspect ratio

## General Description

The FSB0G\_A\_SY is a synchronous, high speed, single port register file. It is implemented according to UMC's 0.15μm standard performance technology. Different combinations of words, bits, and aspect ratios can be used to generate the most desirable configurations.

By requesting the desired size and timing constraints, the FSB0G\_A\_SY compiler is capable of providing suitable synchronous RAM layout instances in minutes. It also automatically generates data sheets, Verilog / VHDL behavioral simulation models, SCS or Viewlogic symbols, place & route models, and test patterns for use in ASIC designs. The duty cycle length can be neglected as long as the setup / hold time and minimum high / low pulse widths are satisfied. This allows the flexibility of a clock falling edge during each operation. Both word write and byte write operations are supported.

## Symbol



## Quick Reference

Maximum Capacity	72K bits
Maximum Words	2K
Minimum Words	32
Maximum Bits	144
Minimum Bits	1
Bit Increment	1
Aspect Ratio (Column Mux)	2, 4, 8

### HEADQUARTERS

Hsinchu, Taiwan,  
 Tel: 886-3-578-7888  
 Fax: 886-3-578-7889  
 sales@faraday-tech.com

### USA OFFICE

Sunnyvale, USA  
 Tel: 1-408-522-8888  
 Fax: 1-408-522-8889  
 sales@faraday-usa.com

### EUROPE OFFICE

Hoofddorp, Netherlands  
 Tel: 31-2356-20496  
 Fax: 31-2356-36297  
 eusales@faraday-tech.com

### JAPAN OFFICE

Tokyo, Japan  
 Tel: 81-3-5214-0070  
 Fax: 81-3-5214-0076  
 sales@faraday.co.jp

### CHINA OFFICE

Shanghai, P. R. China  
 Tel: 86-21-6406-7523  
 Fax: 86-21-6406-5327  
 sales@faraday.com.cn