

Faraday USB 1.1 On-The-Go Transceiver

FZOTG110HB0G

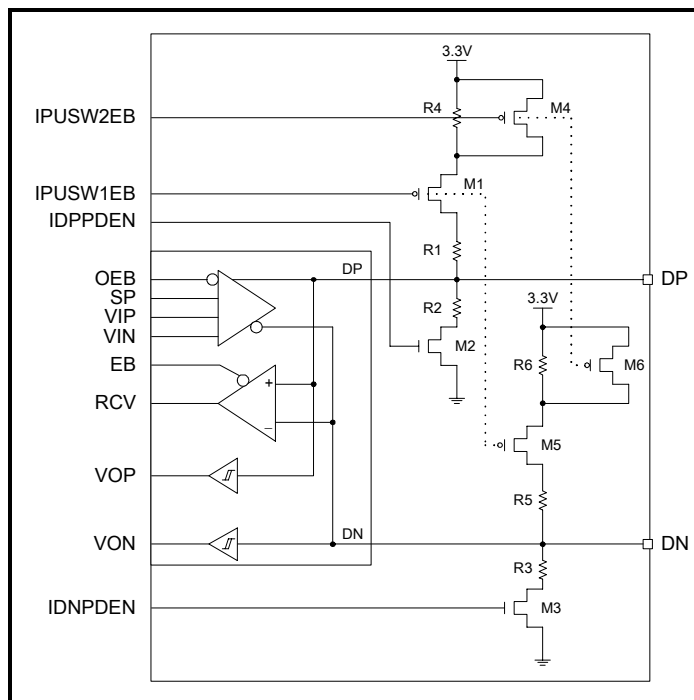
Key Features

- UMC 0.15 μm L150 / SP 3.3V/1.5V logic process
- 3.3V power supply (I/O) with 5V tolerance
- Compliant with USB specification 1.1
- Compliant with USB On-The-Go supplement specification 1.0 (ECN. Specification)
- Built-in pull-up / pull-down resistors
- Support full speed data transfer rate of 12 Mbps
- Support low speed data transfer rate of 1.5 Mbps
- ESD protection > 3KV (HBM)
- IP's minimum metal requirement: 5 metal layers (5M)

General Description

The FZOTG110HB0G, Faraday's USB 1.1 On-The-Go (OTG) transceiver cell, is designed using UMC 0.15 μm L150 / SP logic process. It uses a 3.3V power supply to interface with the USB On-The-Go physical layer specification, and is capable of providing both full speed (12 Mbps) and low speed (1.5 Mbps) data transfer rates. The FZOTG110HB0G works at a core voltage in the range of 1.35V ~ 1.65V, and an operating junction temperature in the range of -40°C ~ 125°C . This IP is designed for use in core limited I/O structures.

Symbol



HEADQUARTERS

Hsinchu, Taiwan,
 Tel: 886-3-578-7888
 Fax: 886-3-578-7889
 sales@faraday.com.tw

USA OFFICE

Sunnyvale, USA
 Tel: 1-408-522-8888
 Fax: 1-408-522-8889
 sales@faraday-usa.com

EUROPE OFFICE

Hoofddorp, Netherlands
 Tel: 31-2356-20496
 Fax: 31-2356-36297
 eusales@faraday.com.tw

JAPAN OFFICE

Tokyo, Japan
 Tel: 81-3-5214-0070
 Fax: 81-3-5214-0076
 sales@faraday.co.jp

CHINA OFFICE

Shanghai, P. R. China
 Tel: 86-21-6406-7523
 Fax: 86-21-6406-5327
 sales@faraday.com.cn