

0.18 μ m Synchronous Single Port Register File Compiler – FSA0A_C_SY

Key Features

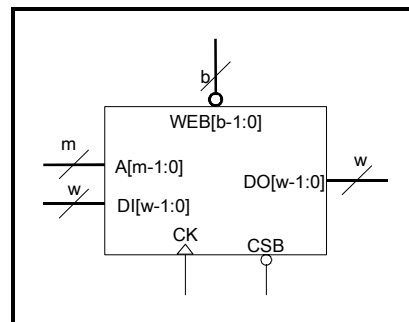
- Operating voltage range: 1.62V ~ 1.98V
- Operating junction temp. range: -40°C ~ 125°C
- Recommended operating ambient temp. range: 0°C ~ 85°C
- Minimum metal requirement: 4 metal layers
- Synchronous read and write operations
- Fully customized layout density
- Automatic power down to eliminate DC current
- Clocked address inputs and CSB to RAM at CK rising edge
- Clocked WEB input pin to RAM at CK rising edge
- Clocked DI input pins to RAM at CK rising edge
- Byte write or word write operations available
- Memory compiler preview UI (Memaker)
- BIST code supported
- Column mux options for the best aspect ratio

General Description

The FSA0A_C_SY is a synchronous, single port register file. It is implemented according to UMC's 0.18 μ m logic technology. Different combinations of words, bits, and aspect ratios can be used to generate the most desirable configurations.

By requesting the desired size and timing constraints, the FSA0A_C_SY compiler is capable of providing suitable synchronous RAM layout instances in minutes. It also automatically generates data sheets, Verilog / VHDL behavioral simulation models, SCS or Viewlogic symbols, place & route models, and test patterns for use in ASIC designs. The duty cycle length can be neglected as long as the setup / hold time and minimum high / low pulse widths are satisfied. This allows the flexibility of a clock's falling edge during each operation. Both word write and byte write operations are supported.

Symbol



Quick Reference

Maximum Capacity	72K bits
Maximum Words	2K
Minimum Words	8
Maximum Bits	144
Minimum Bits	1
Bit Increment	1
Aspect Ratio (Column Mux)	2, 4, 8

HEADQUARTERS

Hsinchu, Taiwan,
 Tel: 886-3-578-7888
 Fax: 886-3-578-7889
 sales@faraday-tech.com

USA OFFICE

Sunnyvale, USA
 Tel: 1-408-522-8888
 Fax: 1-408-522-8889
 sales@faraday-usa.com

EUROPE OFFICE

Hoofddorp, Netherlands
 Tel: 31-2356-20496
 Fax: 31-2356-36297
 eusales@faraday-tech.com

JAPAN OFFICE

Tokyo, Japan
 Tel: 81-3-5214-0070
 Fax: 81-3-5214-0076
 sales@faraday.co.jp

CHINA OFFICE

Shanghai, P. R. China
 Tel: 86-21-6406-7523
 Fax: 86-21-6406-5327
 sales@faraday.com.cn