

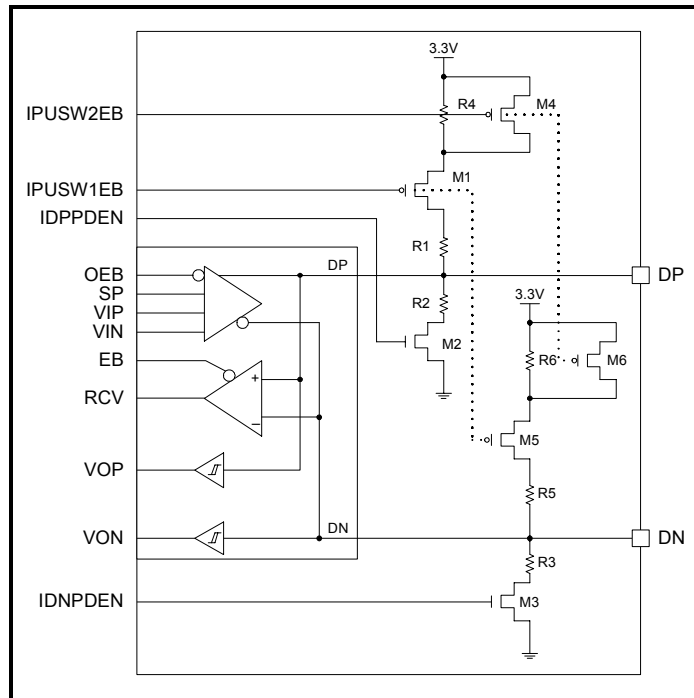
Key Features

- UMC 0.18 μ m 1.8V / 3.3V Generic II logic process
- 3.3V power supply (I/O) with 5V tolerance
- Compliant with USB specification 1.0 and 1.1
- Compliant with USB On-The-Go supplemental specification 1.0 (ECN. Spec.)
- Built-in pull-up / pull-down resistors
- Support full speed data transfer rate, 12Mbps
- Support low speed data transfer rate, 1.5Mbps
- ESD protection > 2KV (HBM)
- IP's minimum metal requirement: 4 metal layers (4M)
- IP's minimum oxide requirement: dual oxide (2G)

General Description

The FZOTG110HA0A, a USB On-The-Go transceiver cell, is designed using UMC 0.18 μ m Generic II Logic process. This cell uses a 3.3V power supply to interface with the USB On-The-Go physical layer specification. It is capable of providing both full speed (12Mbps) and low speed (1.5Mbps) data transfer rates. It also supports operating voltage in the range of 1.62V ~ 1.98V, and operating temperature in the range of -40 $^{\circ}$ C ~ 125 $^{\circ}$ C. This IP is designed to use in the core limited I/O structures.

Symbol



HEADQUARTERS

Hsinchu, Taiwan,
Tel: 886-3-578-7888
Fax: 886-3-578-7889
sales@faraday.com.tw

USA OFFICE

Sunnyvale, USA
Tel: 1-408-522-8888
Fax: 1-408-522-8889
sales@faraday-usa.com

EUROPE OFFICE

Hoofddorp, Netherlands
Tel: 31-2356-20496
Fax: 31-2356-36297
eusales@faraday.com.tw

JAPAN OFFICE

Tokyo, Japan
Tel: 81-3-5214-0070
Fax: 81-3-5214-0076
sales@faraday.co.jp

CHINA OFFICE

Shanghai, P. R. China
Tel: 86-21-6406-7523
Fax: 86-21-6406-5327
sales@faraday.com.cn